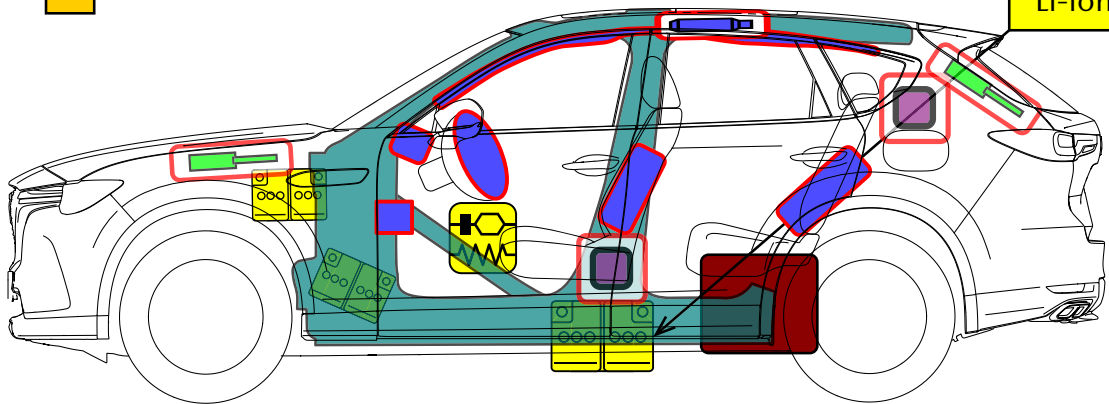
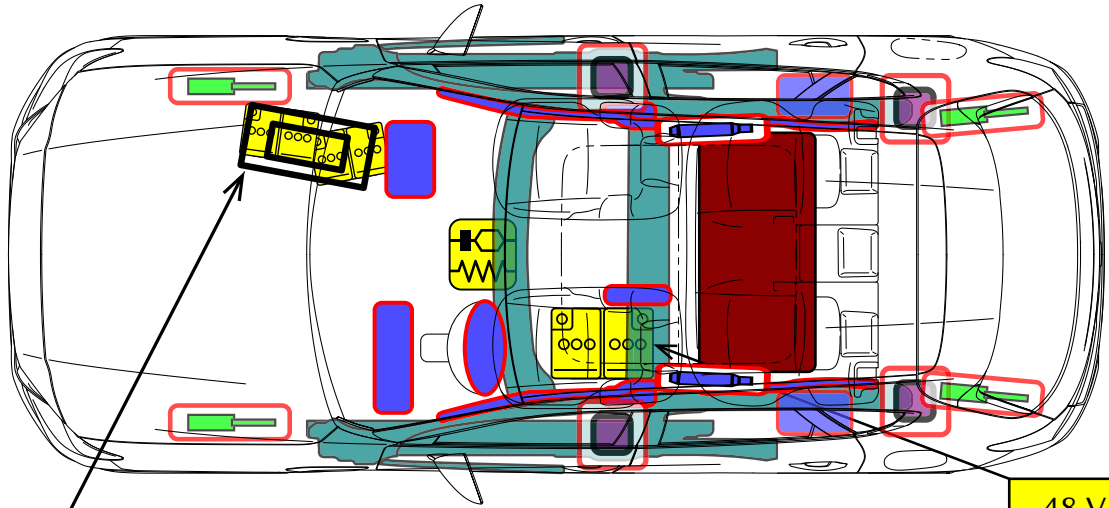




# MAZDA CX-60

(2022- )



	Airbag		Stored gas inflator		Seat belt pre-tensioner		SRS control unit		Gas strut / Preloaded spring
	High strength zone		Zone requiring special attention		Battery low voltage		Fuel tank content gasoline / ethanol		

# MAZDA CX-60 (2022- )

## 1. Identification / recognition



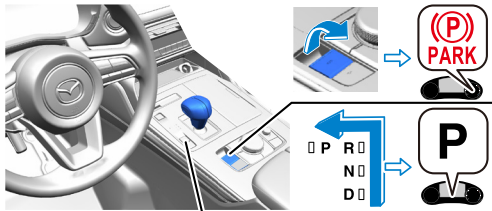
LACK OF ENGINE NOISE DOES NOT MEAN VEHICLE IS OFF: SILENT MOVEMENT OR INSTANT RESTART CAPABILITY EXISTS UNTIL VEHICLE IS FULLY SHUT DOWN. WEAR APPROPRIATE PPE.



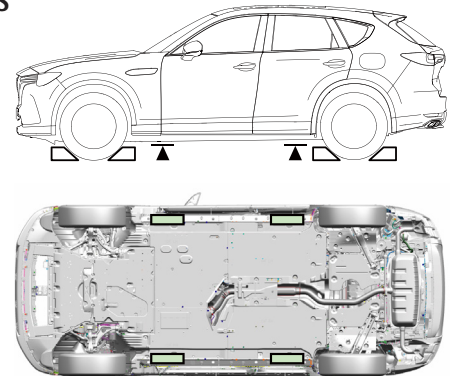
## 2. Immobilisation / stabilisation / lifting

### IMMOBILIZE THE VEHICLE

- Block the wheels.
- Set the parking brake.
- Put the car in P position.



### LIFTING POINTS



Appropriate lifting points

## 3. Disable direct hazards / safety regulations

### Systems that do not operate if power is lost

#### Door lock



#### Power window



#### Power seat



#### Shift-by-wire



#### Electric parking brake (EPB)



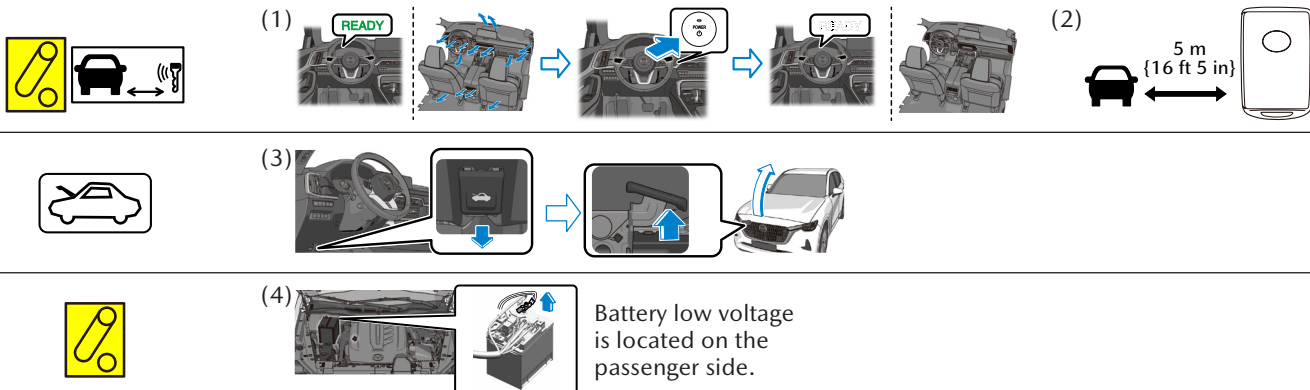
#### Electric liftgate opener



#### Tilt and telescopic



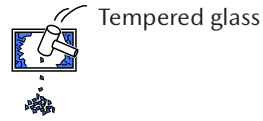
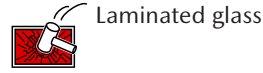
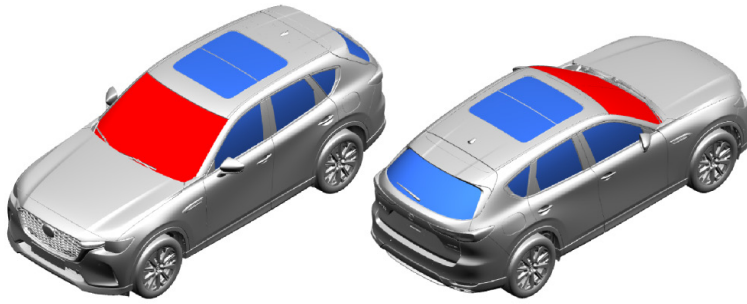
### Main disabling method



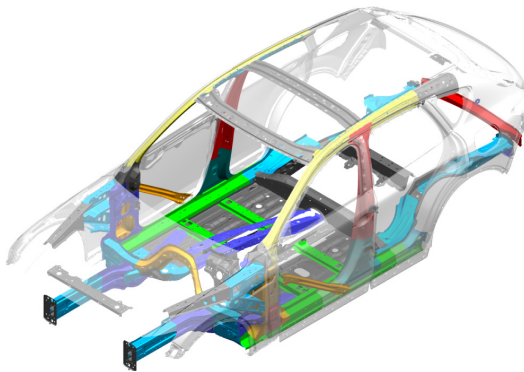
# MAZDA CX-60 (2022- )

## 4. Access to the occupants

### Glass types

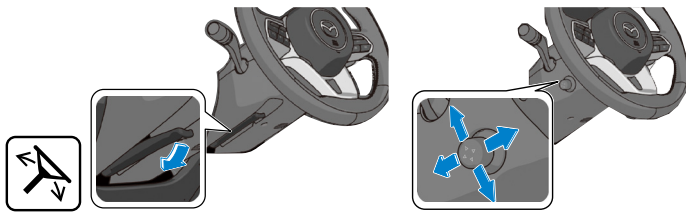


### High strength steel in body

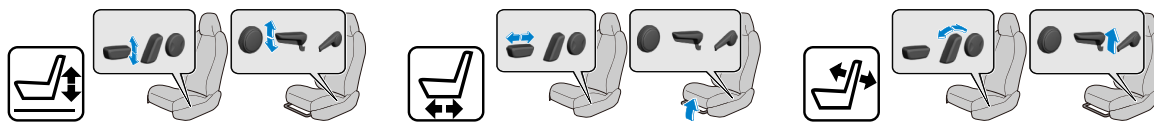


- 1800 MPa {18355 kgf/cm<sup>2</sup>, 261068 psi}
- 1500 MPa {15296 kgf/cm<sup>2</sup>, 217557 psi}
- 1470 MPa {14990 kgf/cm<sup>2</sup>, 213206 psi}
- 1310 MPa {13358 kgf/cm<sup>2</sup>, 190000 psi}
- 1180 MPa {12032 kgf/cm<sup>2</sup>, 171145 psi}
- 980 MPa {9993 kgf/cm<sup>2</sup>, 142137 psi}
- 780 MPa {7954 kgf/cm<sup>2</sup>, 113130 psi}
- 590 MPa {6016 kgf/cm<sup>2</sup>, 85572 psi}

### Steering wheel angle adjustment



### Seat position operation



## 5. Stored energy / liquids / gases / solids

	Li-ion / DC 48V	
	Pb / DC 12V	
	R-1234yf / 670 g {23.6 oz}	
	Gasoline / 58.0 L {15.3 US gal, 12.8 Imp gal}	

# MAZDA CX-60 (2022- )

## 6. In case of fire

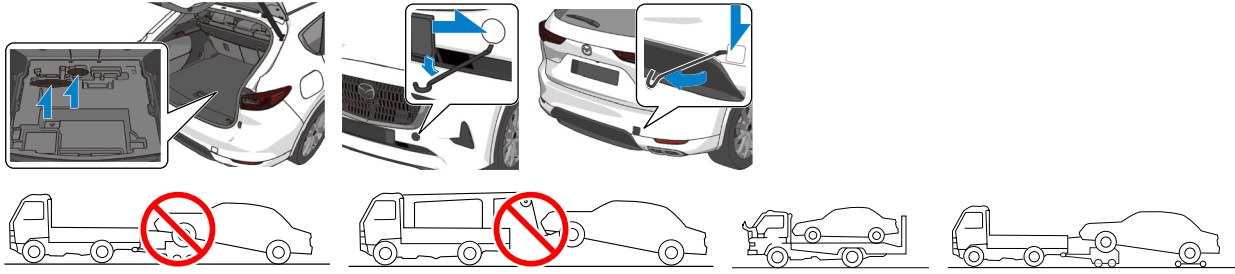


EXTINGUISH THE FIRE USING LARGE AMOUNTS OF WATER OR AN ABC FIRE EXTINGUISHER.



## 7. In case of submersion

## 8. Towing / transportation / storage



KEEP THE VEHICLE OUTDOORS AWAY FROM FLAMMABLES.

## 10. Explanation of pictograms used

	Vehicle on fuel of liquid group 2		Air conditioning component		Hazardous to the human health
	Bonnet		General warning sign		Remove smart key
	Device to shut down power in vehicle		Use water to extinguish the fire		Door-lock control
	Steering wheel, tilt control		Use ABC powder to extinguish the fire		Window lift (power-operated)
	Seat adjustment, longitudinal		Explosive		Parking brake
	Seat height adjustment		Gases under pressure		Laminated glass
	Seat adjustment, seat back recline		Flammable		Tempered glass
	Lifting point; central support		Corrosives		